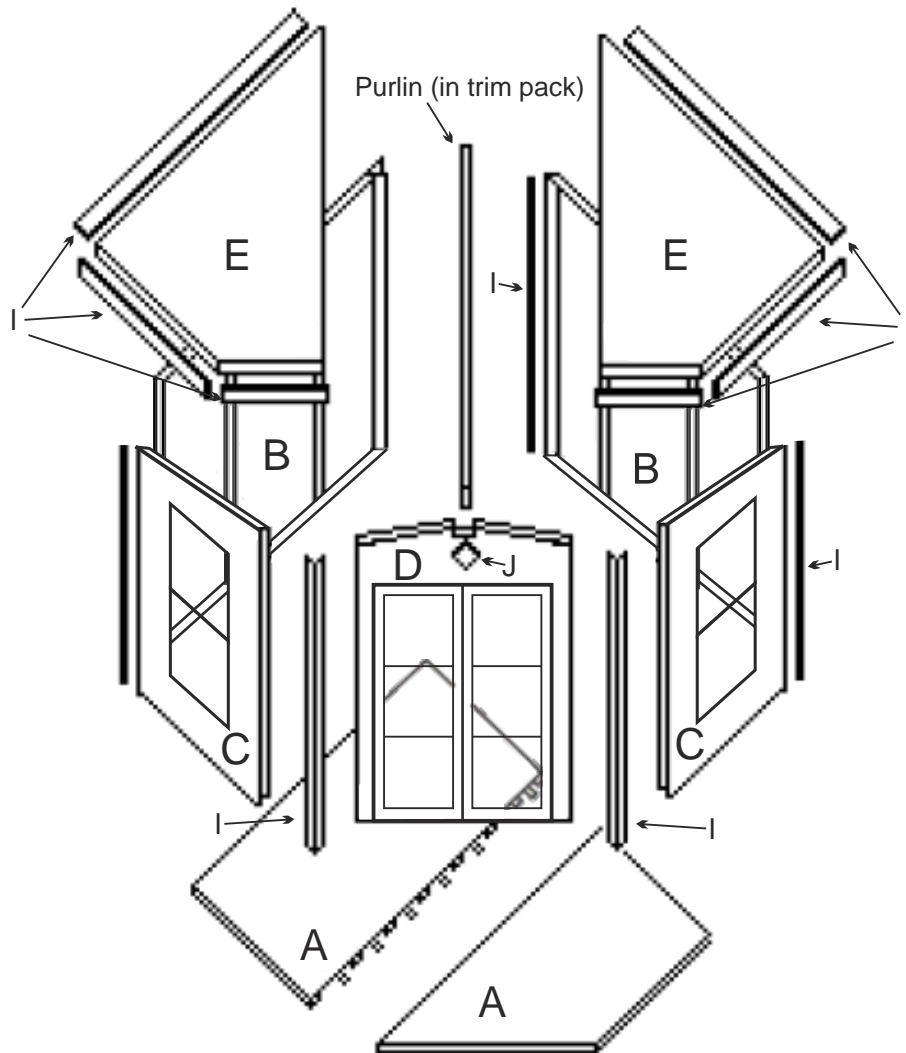


Assembly guide for Albany Devon Summerhouse

For models 606, 707, 808, 909

RECOMMENDED TOOLS: HAMMER, POZIDRIVE SCREWDRIVER (BATTERY OPERATED IS USEFUL), STANLEY KNIFE, SAW, STEPLADDERS TO FELT ROOF, PROTECTIVE GLOVES, SPIRIT LEVEL.
ESTIMATED ASSEMBLY TIME: TWO PEOPLE, HALF A DAY.
WE RECOMMEND PILOT DRILLING SCREW HOLES FIRST.



| PARTS LIST | F: nail & screw pack |
|---|--|
| A: 2 x floor sections (1 rectangular, 1 angled) 606 has one section only | G: 1 x 6.6m felt rolls (606) 1 x 10m felt roll (707, 808) 2 x 6.6m felt rolls (909) |
| B: 2 x large plain sides (1 with overhang) | H: glass (quantity depends on model) |
| C: 2 x angled window sides | I: 1 x trim pack |
| D: 1 x door section | J: 1 x diamond finial |
| E: 2 x roof sections | J: 1 x handle |

1. Treat the underside of the floor if the building has been supplied untreated. Lay the floor panel/panels (A) together in their desired position (remember to leave enough space around the building for roof overhang and maintenance). If the floor is in two sections, fix together by nailing through the joining blocks (small pieces of timber sticking out of one of the sections) using the 40mm nails. It is essential the floor is on a solid level base, otherwise the building will not fit together properly and the doors may not fit flush. Place the panels around the floor - it will help you understand how they fit together.

2. Select the two plain sides (B) and place them on the floor (the lip on the bottom of the sides overhangs the floor). The boards on one side overhangs 50mm (this goes at the back where the sides form a corner). Check that the sides are sitting flat on the floor and the panels are butted together, then screw them together from the inside using two of the screws provided.

3. Screw the window sides (C) to the plain sides from the inside using two screws per side, again making sure the sections are flat on the floor.

4. Before fitting the door section (D), check that the doors are hanging straight. Attach the handle and unlock the door (so you can get in in a moment), then screw the door section to the window sides from the inside as before.

5. Open the trim pack and locate the roof purlin - it is the longest piece, with a cut out in one end. The cut out end rests on the back corner, the other end sits on a piece of horizontal framing above the door. Put it in place (do not fix).

6. Place the roof sections (E) on the building - do not fix yet (the roof purlin goes between the two sections). Check that the roof is sitting flat with the sides, if not it is possible the floor is not level and will need packing. N.B. The roof may need trimming at the back.

7. Select the soffit boards - they are the two longer pieces in the trim pack - fix these to the underneath of the roof (at the back - see Diagram B) using the nails provided. Push the roofs forward to close the gap at the back.

8. Screw the roof sections to the purlin with three screws. Secure the roof at the two back sections from inside the building by screwing from underneath through the side panel into the roof framing. Then at the front by nailing through the roof into the framing on the front three sides.

9. Screw the sides to the floor (two screws per section) make sure that you screw into the floor joists which can be located by the lines of nails in the floor.

10. To felt the roof, cut the felt into three equal strips approximately 2.2m long (606), 3.3m long (707 & 808) or four 3.3m long strips (909). Start by laying the first strip parallel to the left hand plain side - leave approximately 75 mm overhang to the side and back and the rest at the front (see Diagram A). Make sure the felt is flat and use approximately three felt nails just to hold the strip in place (on the side where the rest of the bare roof is, you will cover them over with the next strip). Place the second strip on the roof overlapping the first by at least 100 mm, leave the same 75 mm overhang to the back and fix with a few nails as before. With the final strip in place (leave the same 75 mm overhang to the back and side) nail down each join at least every 100 mm working from the centre outwards. Fold the felt over the side of the roof and nail every 100 - 150 mm on the two long sides again working from the centre outwards. Put a few nails into the front three sides to hold felt in place.

11. Select the four fascia boards from the trim pack & nail to the side of the roof using the nails provided, then trim the felt at the front. Nail the diamond finial (J) to the front, covering where the fascia boards meet (it is best to pre-sink the nails first).

12. Glaze the shed by removing the beading pre-fitted to the windows, putting in a pane of glass, then nailing the beading into place using panel pins. Do not push the beading too tight against the glass or it will crack. We advise you wear gloves when handling glass.

13. Nail on the corner strips - the two patterned strips go either side of the door, the three plain strips go to the other corners (see diagram B).

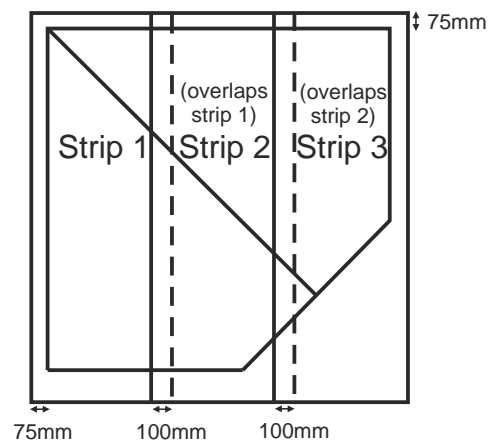


Diagram A: Felt plan (909 model has 4 strips)

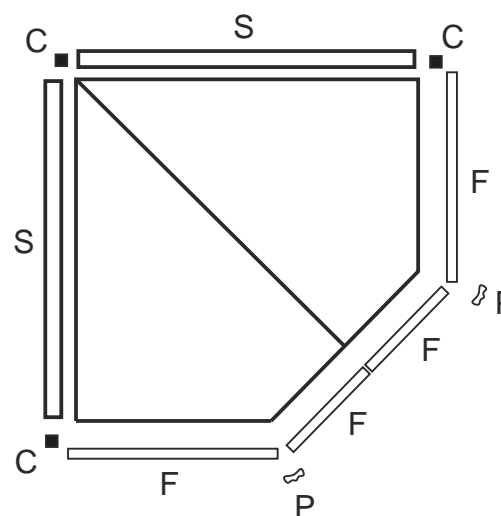


Diagram B: Trim pack plan

| | |
|-----------------|---|
| Fascia board | F |
| Soffit board | S |
| Corner strip | C |
| Patterned strip | P |

If your building has been supplied untreated, it requires treating straight away. The doors should be treated with at least two coats of an exterior household door treatment, such as Sadolin, and not just an ordinary shed treatment.

If, once assembled, the doors are no longer hanging straight, try packing in one corner.

We recommend you re-treat your building within 6 months and from then on annually.

If you wish to maintain a similar colour, Albany Brown treatment can be ordered from your local retailer in 5 litre tubs.

These instructions are meant as a guide only. We reserve the right to alter design without prior notice.

Thanks for buying an Albany shed. www.albanysheds.co.uk